



WoodEvo.

HOME DECKING RANGE INSTALLATION GUIDE

CONTENTS

DECK PLANNING	Page 4
DECK PREPARATION	Page 6
MATERIALS	Page 8

STANDARD INSTALLATION

INSTALLATION STEPS	Page 10
BREAKER BOARDS	Page 12
PICTURE FRAMING THE DECK	Page 13
FINAL BOARD INSTALLATION	Page 14
FASCIA BOARD INSTALLATION	Page 14

BAL-29 INSTALLATION

INSTALLATION STEPS	Page 16
BREAKER BOARDS	Page 18
PICTURE FRAMING THE DECK	Page 19
FINAL BOARD INSTALLATION	Page 20
FASCIA BOARD INSTALLATION	Page 20
CARE GUIDE & MAINTENANCE	Page 21

WOOD. EVOLVED.



WELCOME TO WOOD. EVOLVED.

Congratulations on your new WoodEvo deck!

Your deck has been carefully engineered to provide years of maintenance-free enjoyment for you and your family. Please follow this installation guide carefully to ensure that your deck is correctly and safely installed.

DISCLAIMER

- When installing decking, always comply with the National Construction Code, Building Code of Australia, as well as all applicable Australian Standard and local building codes.
- All instructions in this document are provided for illustration purposes only and are not intended to replace the expertise of a licensed professional.
- WoodEvo assumes no responsibility for any risks and/or liability associated with the use of WoodEvo products during construction.

SAFETY INSTRUCTIONS

- The use of personal protective equipment (PPE) and all applicable safety equipment is required during any type of construction work.
- When working with WoodEvo decking you should always wear appropriate gloves, respiratory protection (or dust mask), long sleeves, and safety glasses.
- Standard woodworking tools can be used with WoodEvo decking. Please ensure you take appropriate steps to ensure all tools are used safely.
- Static electricity advisory: it is normal for static electricity to occasionally build up in plastic-based products. This phenomenon is rare and is typically more noticeable in dry conditions.

HEAT & FIRE CONSIDERATIONS

WoodEvo products could potentially be damaged by contact with strong heat sources such as, but not limited to, fire, or the reflection of sunlight from energy-efficient window products. Please ensure you consider such risks when planning the location and configuration of your deck.

DECK PLANNING

For best results, it is important to carefully plan the placement and installation of your deck. This starts with ensuring your subframe is correctly prepared.

SUBFRAME PREPARATION

To be correctly installed, WoodEvo decking must be laid on a clean, smooth, strong, and flat surface. Before starting installation, plan your subframe so joist spacings comply with the following table.

450mm joist spacings are recommended for best results in residential installations (when running perpendicular to joists).

SUBFRAME JOIST CENTRES

APPLICATION	ANGLE OF DECK BOARDS RELATIVE TO JOISTS		
	90° (Perpendicular)	60°	45°
Residential (maximum)	450mm	400mm	350mm
Commercial (maximum)	350mm	300mm	250mm

Always use joist hangers (in accordance with applicable building codes) for a strong base to your deck.

CANTILEVER LIMITATIONS

For optimal structural support, do not cantilever deck boards more than 15mm beyond the fascia and/or subframe.

PLANNING FOR EXPANSION AND CONTRACTION

As ambient temperatures fluctuate, composite decking boards naturally experience thermal expansion and contraction. To counteract this, it is best practice to install a TruLockv clip in the middle of each board to ensure even expansion at either side of the clip. This will also prevent boards physically moving.

WoodEvo decking must have a minimum ground clearance of 150mm over soil and 28mm over concrete. It is recommended to install WoodEvo decking when the ambient temperature is under 30°C.

Depending on the ambient temperature experienced during installation, the minimum total gap to be left between board ends is as follows:

MINIMUM GAP BETWEEN BOARDS

BOARD LENGTH	AMBIENT TEMPERATURE DURING INSTALLATION			
	15°C	20°C	25°C	30°C
1800mm	2mm	2mm	1mm	1mm
2700mm	2mm	2mm	1mm	1mm
3600mm	3mm	2mm	1mm	1mm
5400mm	4mm	3mm	2mm	1mm

Note:

A TruLock clip or screws is to be installed on the centre joist of each section.

Where possible, avoid butt joints. Instead, use breaker boards to control expansion and minimise wastage.

DECK PREPARATION

STORAGE & PROTECTION OF BOARDS

- Prior to installation, ensure decking boards are stored on a flat surface to prevent damage from falling or sliding.
- Protect decking boards from impact with heavy and/or sharp objects before and during installation.
- Cover decking boards with a heavy fabric (such as natural fibre canvas) when working on the deck to avoid damage.

COLOUR & GRAIN PATTERNS

WoodEvo decking is carefully designed to emulate the finish of real timber, which means slight variations in colour and grain pattern are deliberately added to enhance the natural appearance of the product. This effect is purely aesthetic and does not impact the functionality or durability of the decking.

Note:

While our decking products are engineered to be cooler to the touch when compared to other decking materials, they will still absorb ambient heat on hot days. It is normal for them to feel warm underfoot (especially darker deck colours).

PROTECTING YOUR DECK

- Leave the laying of your new deck until after all other works have been completed.
- Always cover the deck securely during installation or nearby construction.
 - I. Use a breathable material (such as natural fibre canvas) to cover the deck, protecting it from dust, debris, and spills.
 - II. Do not use rubber or plastic sheeting to cover the deck as it may trap moisture and/or apply direct heat, risking potential damage.
 - III. Fasten the cover securely, allowing for sufficient airflow to avoid moisture buildup.
- Once construction is complete, remove the cover(s) and clean the deck thoroughly with soap and water or a pressure washer (see Care & Maintenance instructions later in this guide) to remove any leftover materials.



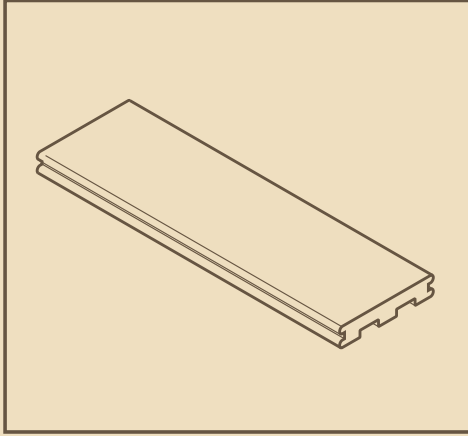
ATTENTION

- Do not mark the deck with oil pens or coloured pens. Do not use a chalk line as it may mark.
- Do not use nails (or a nail gun) to affix deck boards. This can compromise the deck board integrity and will void your warranty.
- Only use approved screws and/or specialised hidden fastener system(s) to install your deck. This will ensure a secure, safe, and long-lasting installation.
- Always install deck boards with the embossed side facing up. This not only ensures optimal safety due to improved anti-slip traction but also showcases the deck's grain texture.
- Each board will need to be squared off. Make sure at least 1 blade width is cut from each end of the deck board.
- Boards must be installed on a minimum of 3 joists. Example: A 450mm board with 1 joist on each end, would also require a joist in the middle.

MATERIALS

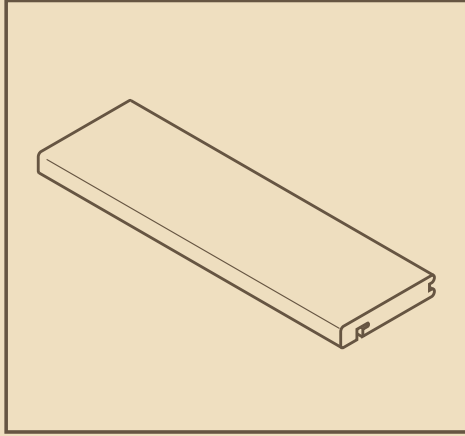
You will need the following fastener system components to complete your deck installation.

BOARDS



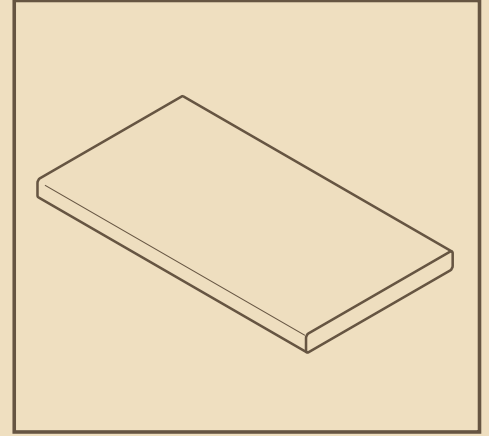
GROOVED BOARDS

Dimensions: 138mm x 23mm



EDGE BOARDS

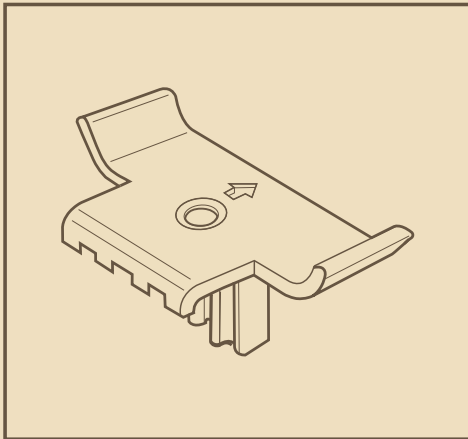
Dimensions: 138mm x 23mm



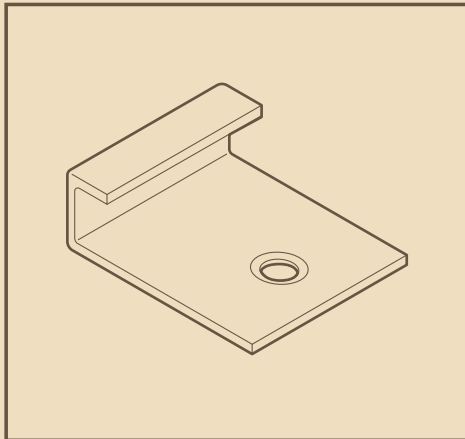
FASCIA BOARDS

Dimensions: 180mm x 15mm

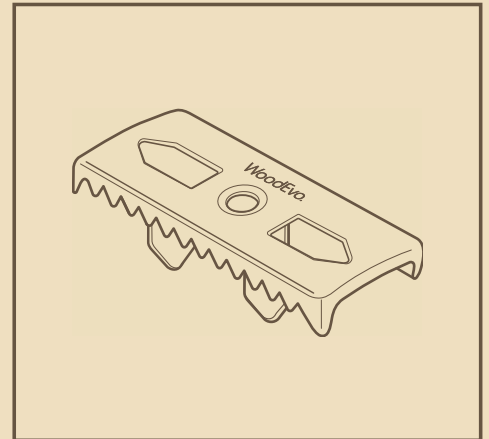
CLIPS



QUICKLOCK CLIPS

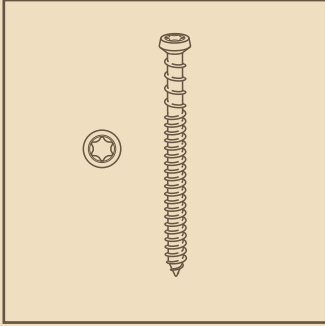


STARTER CLIPS



TRULOCK CLIPS

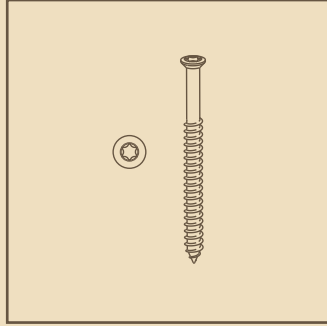
TIMBER SUBFRAME SCREWS



12g 65mm colour-matched screws

T20 drive bit required

⊘ NO IMPACT DRIVER

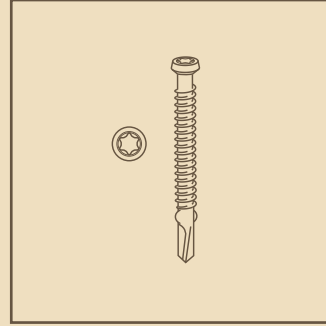


6g 45mm clip screws

Screws and T15 drive bit supplied with clip boxes

⊘ NO IMPACT DRIVER

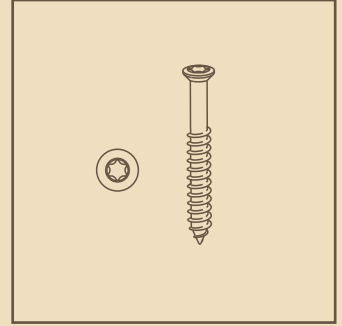
METAL SUBFRAME SCREWS



12g 45mm colour-matched screws

T20 drive bit required

⊘ NO IMPACT DRIVER



6g 32mm clip screws

Screws and T15 drive bit supplied with clip boxes

⊘ NO IMPACT DRIVER

RECOMMENDED TOOLS

Drill/driver

Tape measure

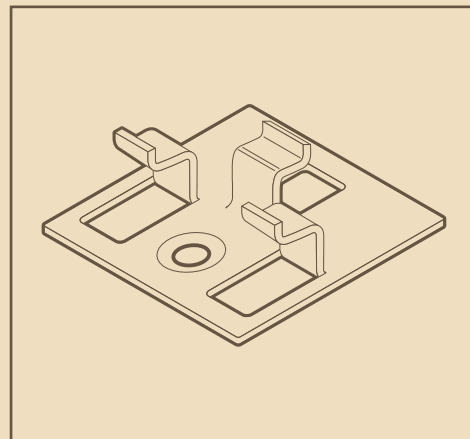
Track saw

Spirit level

Set square

4.2mm Drill bit (or 4.5mm)

BAL-29 RATED CLIPS

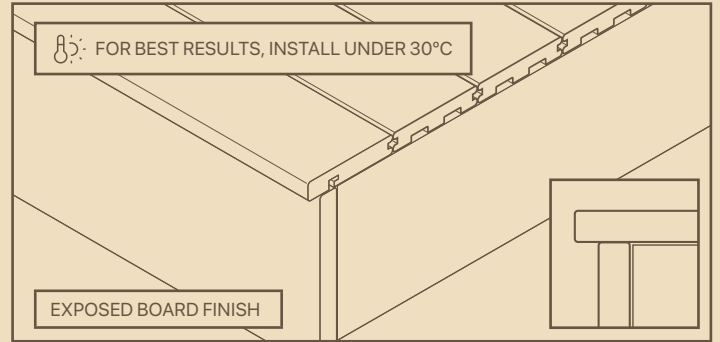
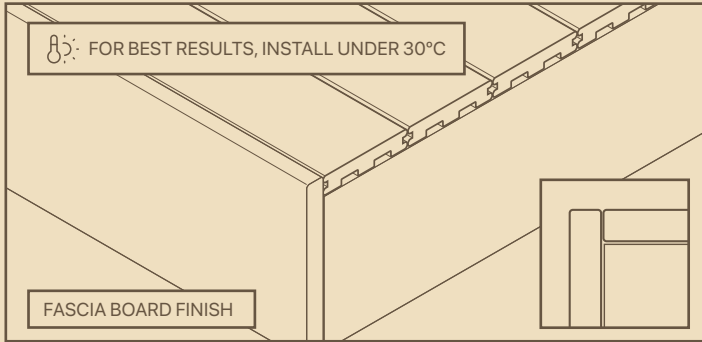


BAL-29 3MM CLIP

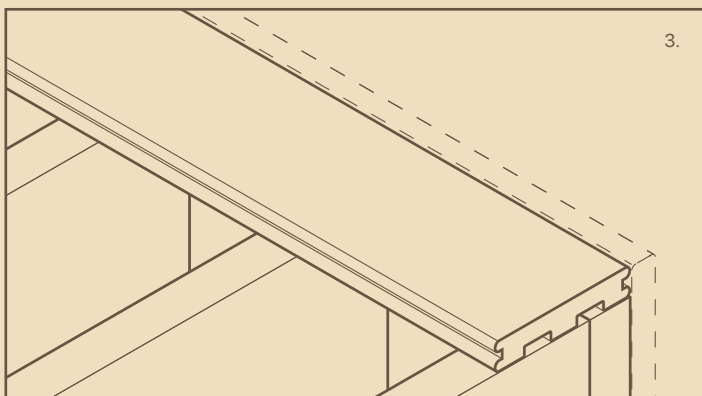
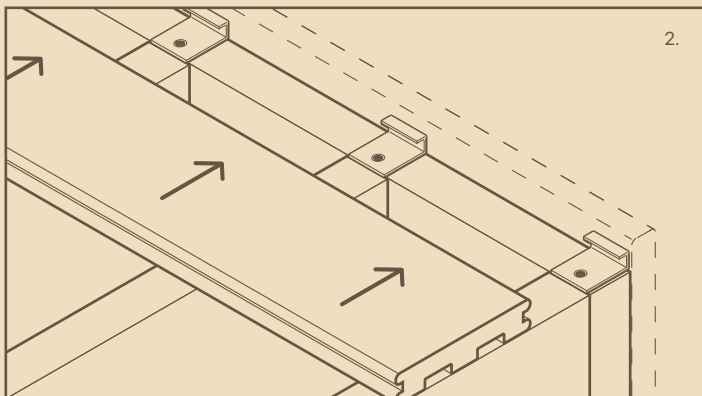
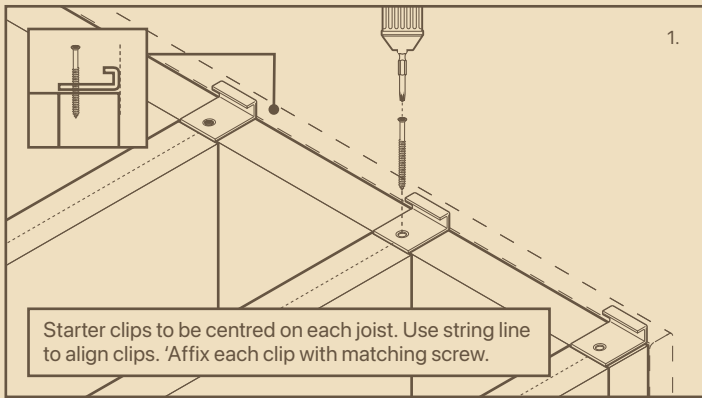
INSTALLATION STEPS

5MM CLIP – FOR TIMBER AND METAL SUBFLOOR

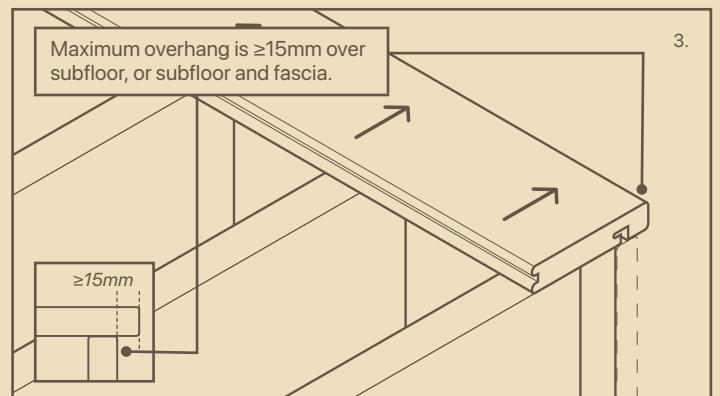
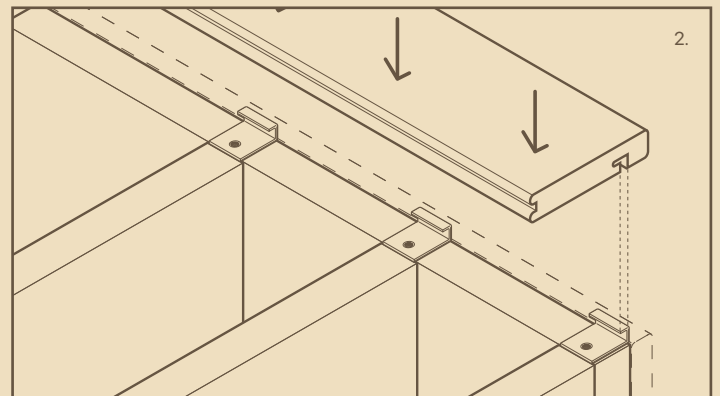
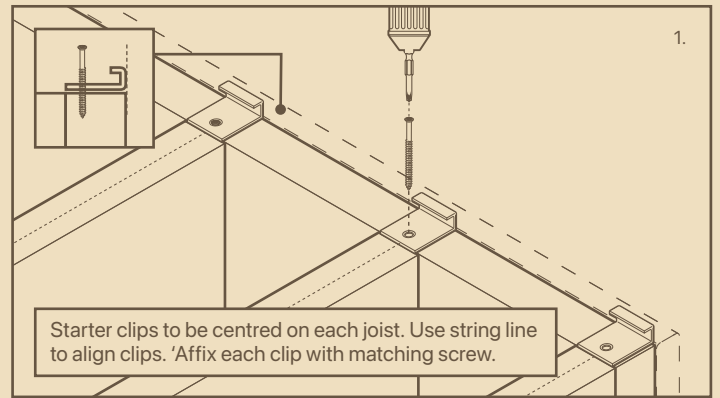
Place the first board at the edge of the subframe furthest away from the structure you are building against.



FASCIA BOARD FINISH – GROOVED BOARD:

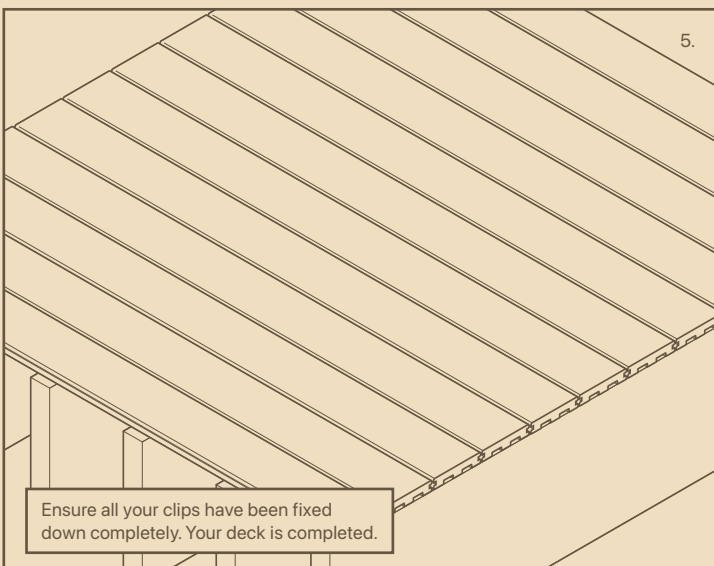
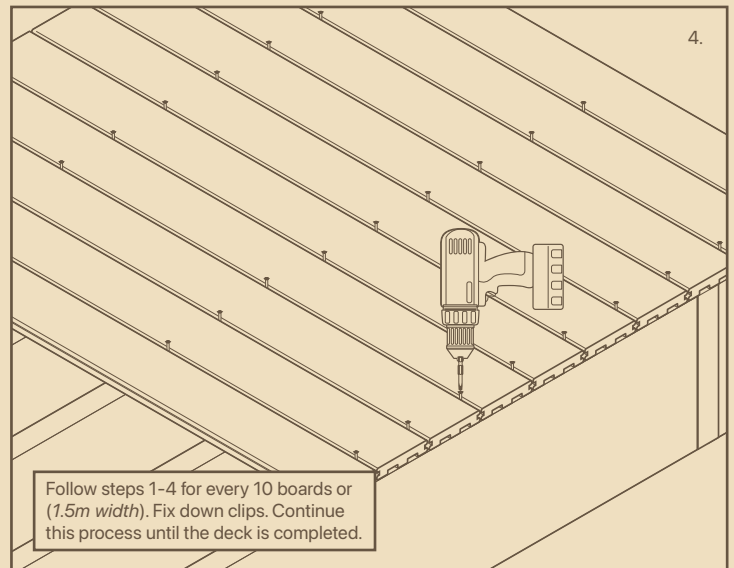
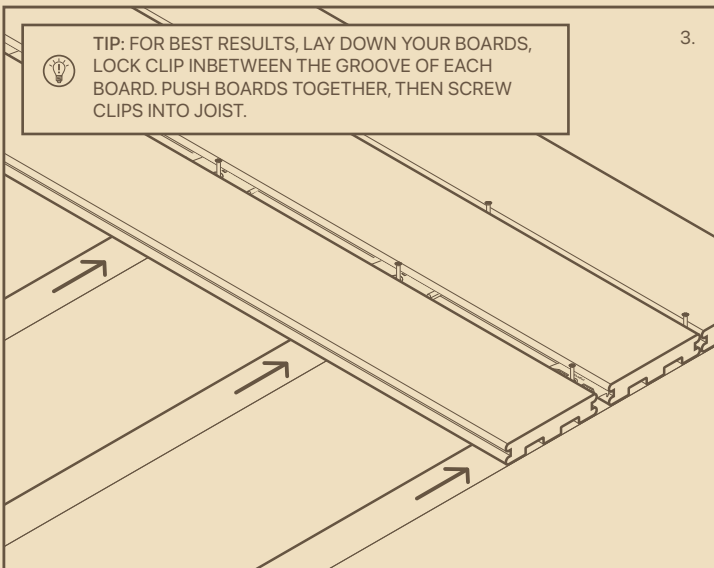
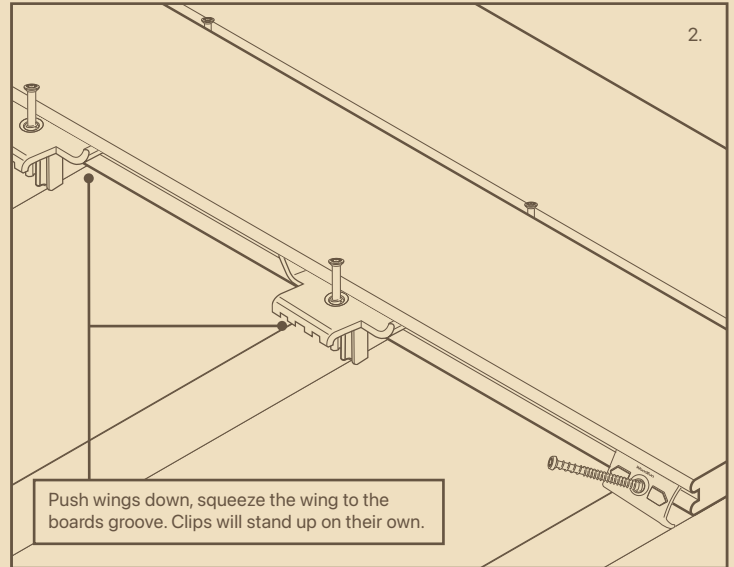
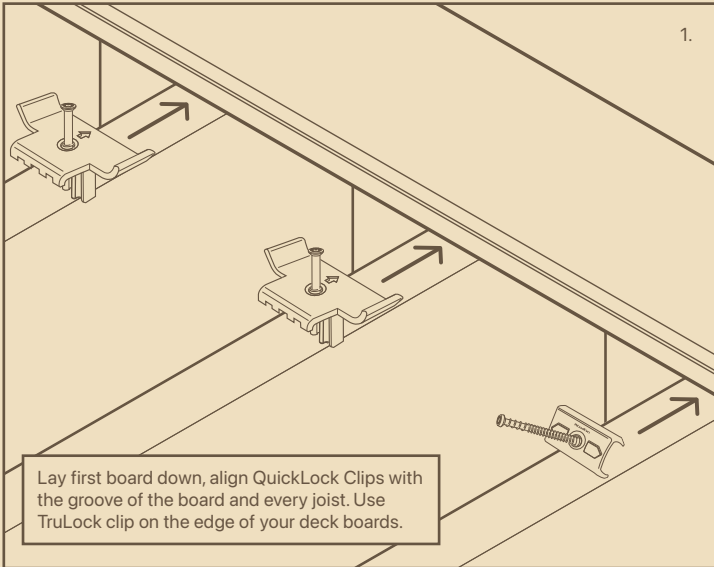


EXPOSED BOARD FINISH – EDGE BOARD:



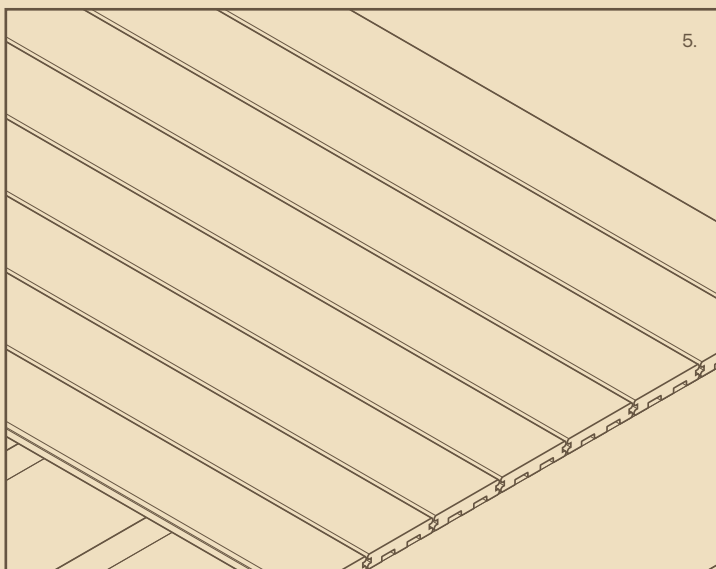
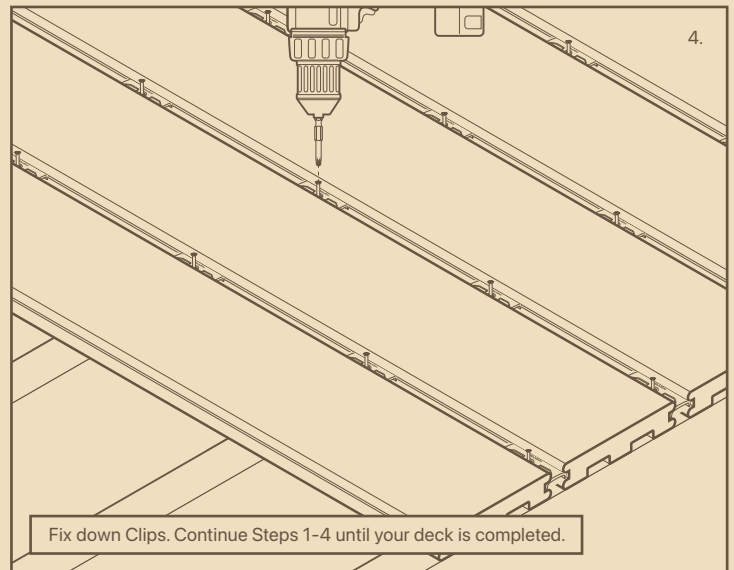
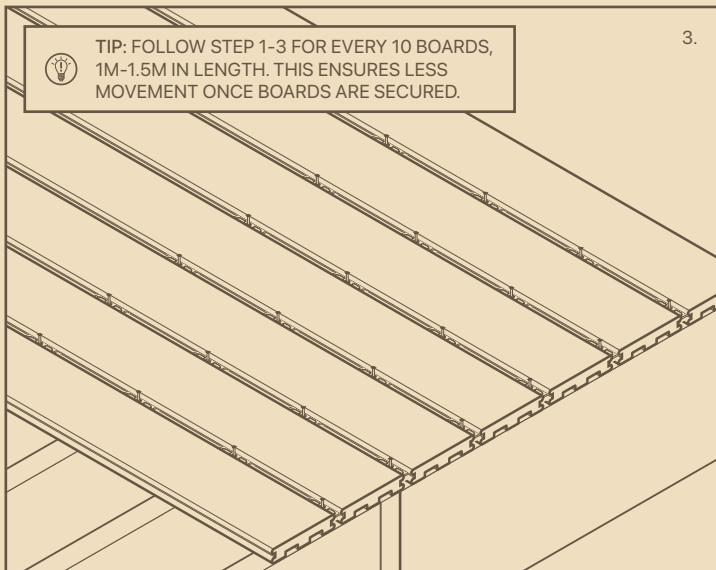
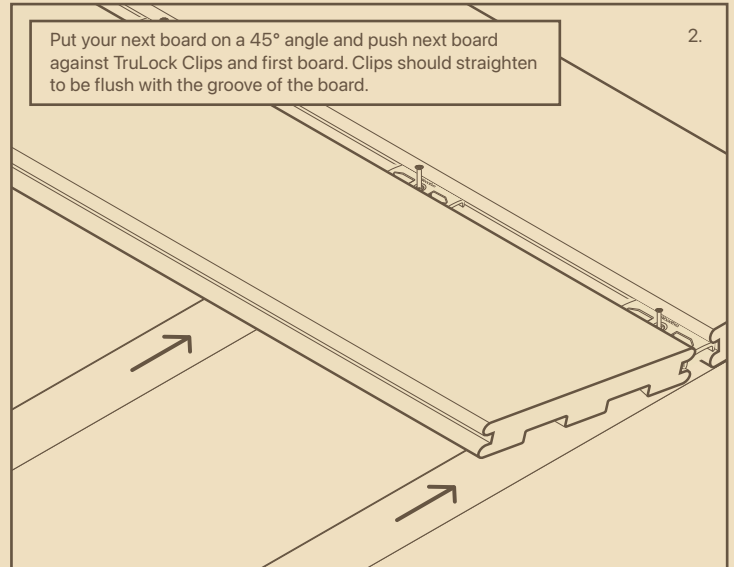
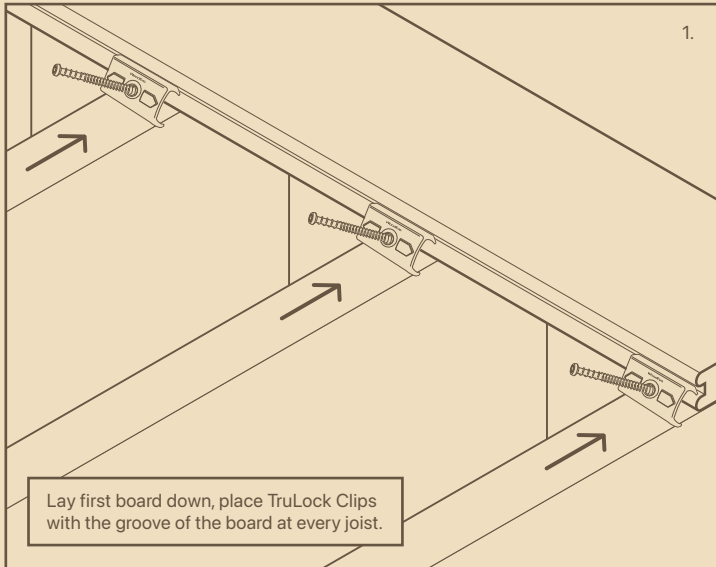
QUICKLOCK CLIPS

The QuickLock Clip system is built for strength and speed. Its reinforced metal plate adds extra durability and protection against breakage, ensuring a faster, more reliable installation.



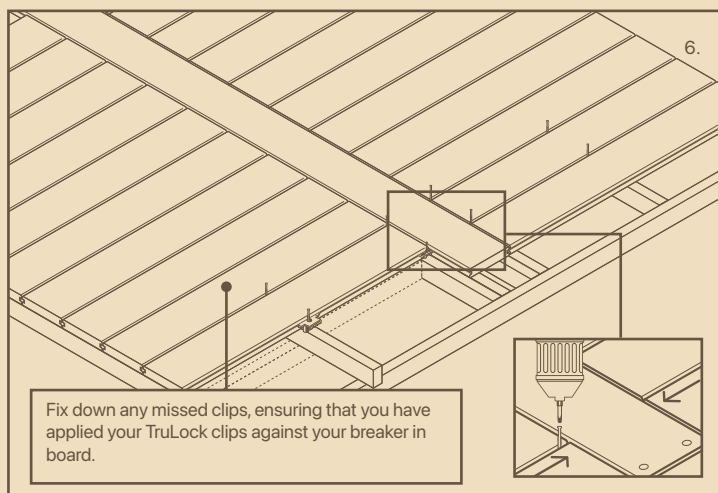
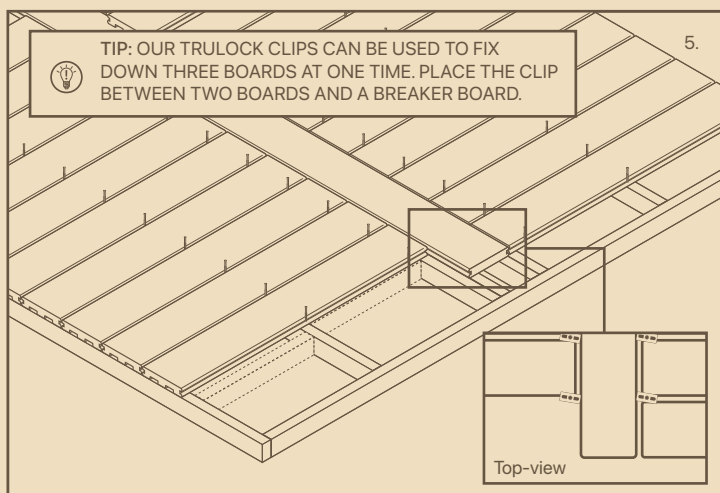
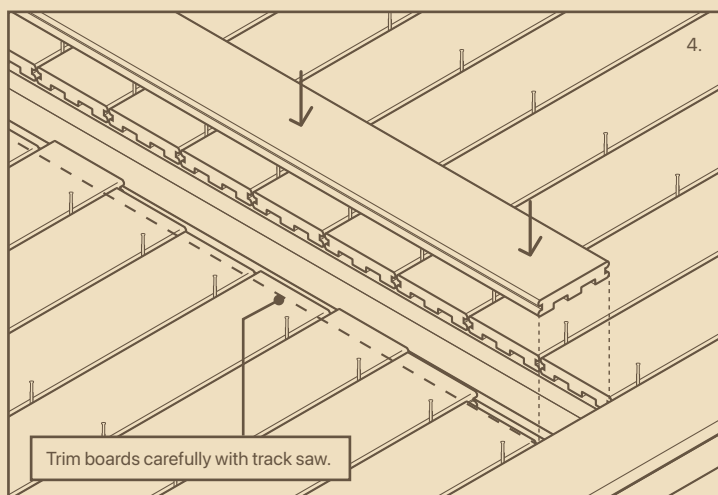
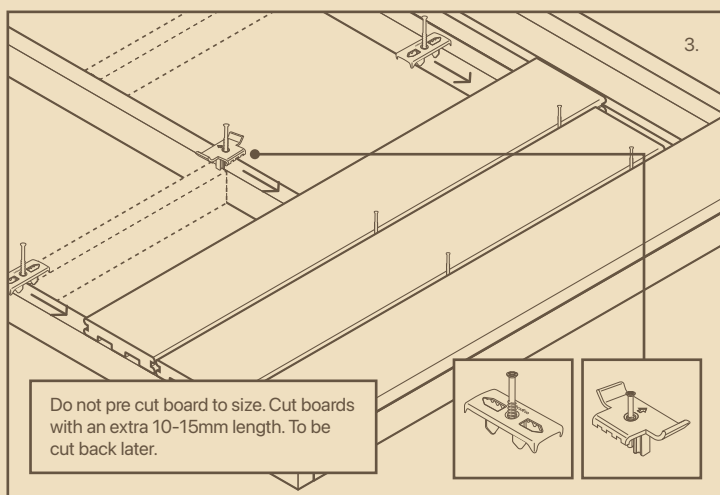
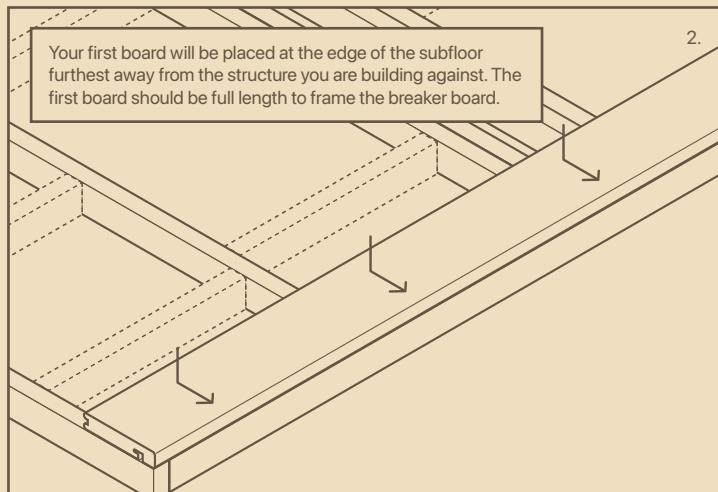
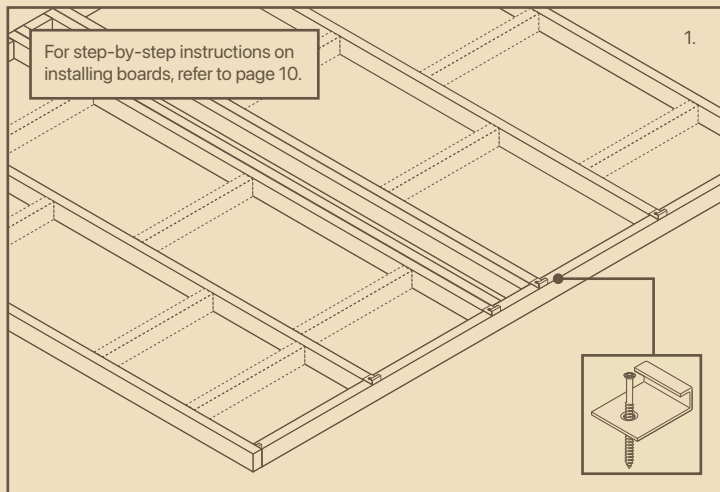
TRULOCK CLIPS

The TruLock Clip delivers enhanced durability and a smoother installation. Designed for a stronger hold and easier board lock-down, TruLock ensures every deck is secured with confidence. It is also



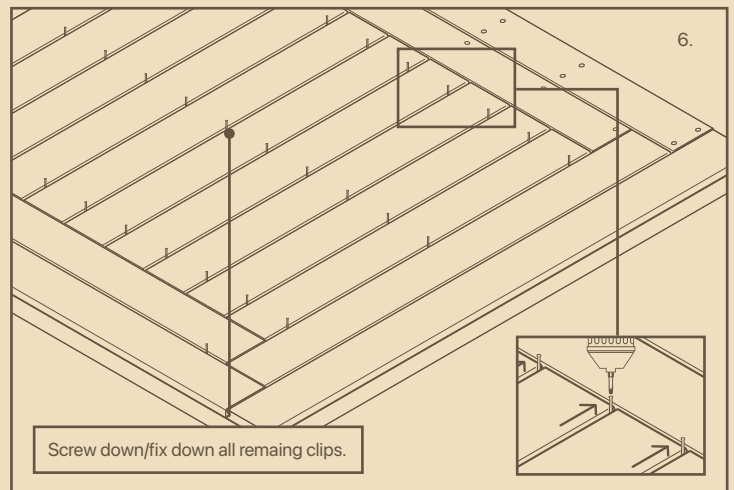
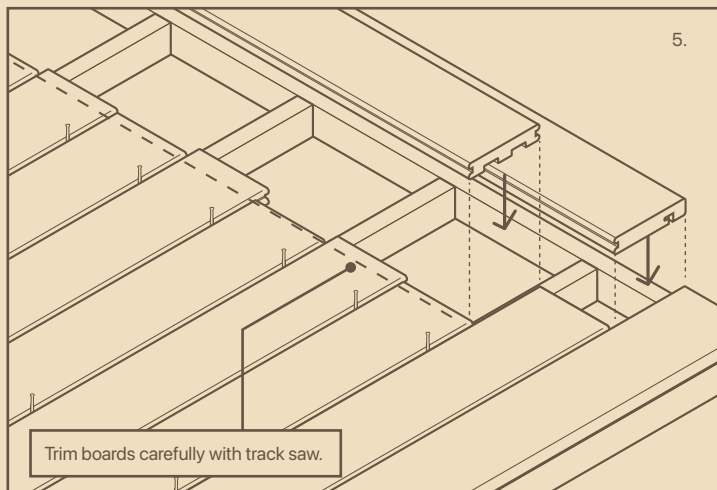
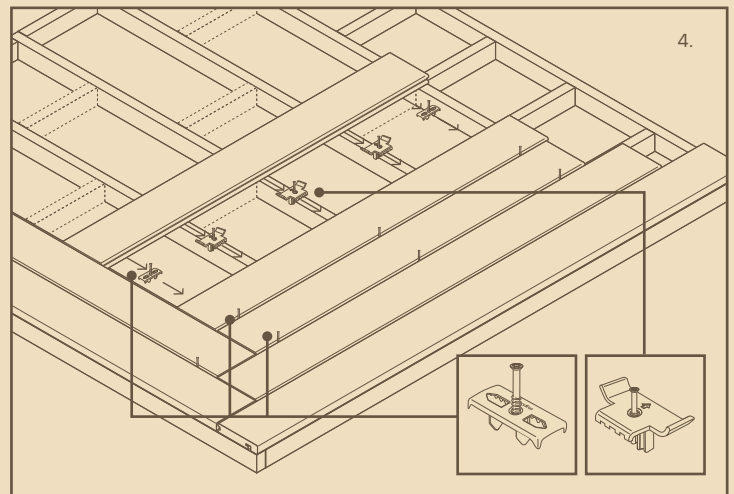
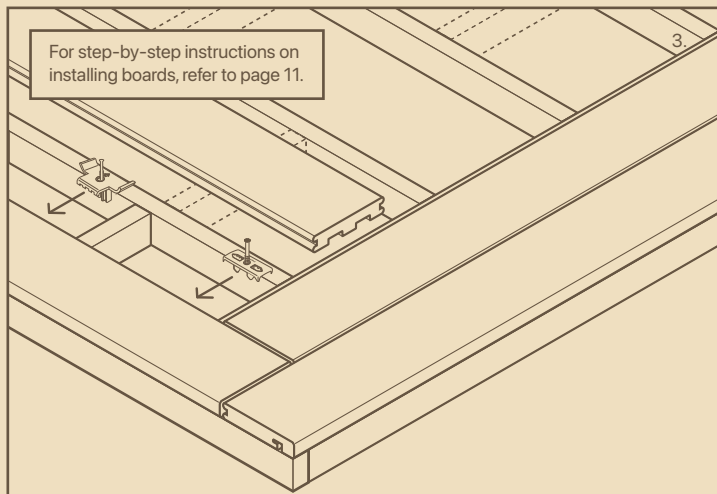
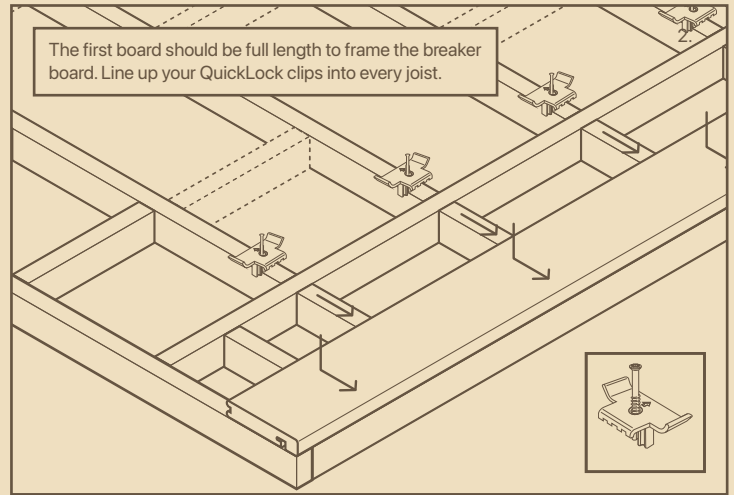
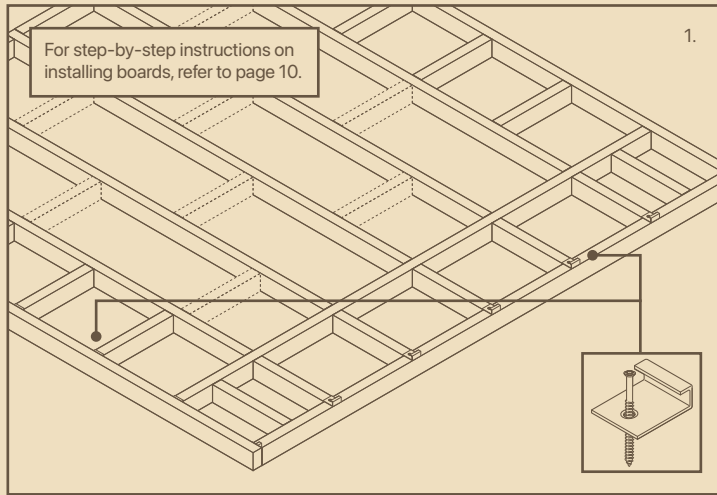
BREAKER BOARDS

Breaker boards control linear expansion by breaking your deck into smaller, uniform spans. Breaker boards also enhance the stability and durability of your deck, while minimising wastage. Therefore, breaker boards are recommended for all WoodEvo deck installations.



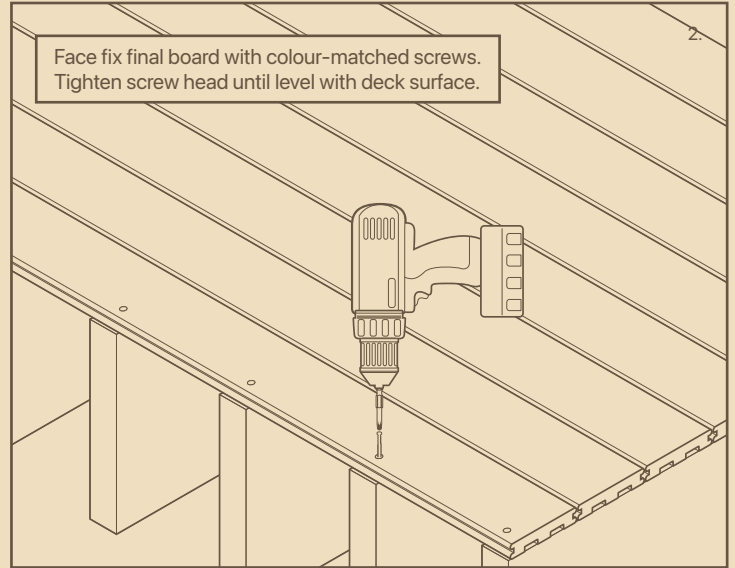
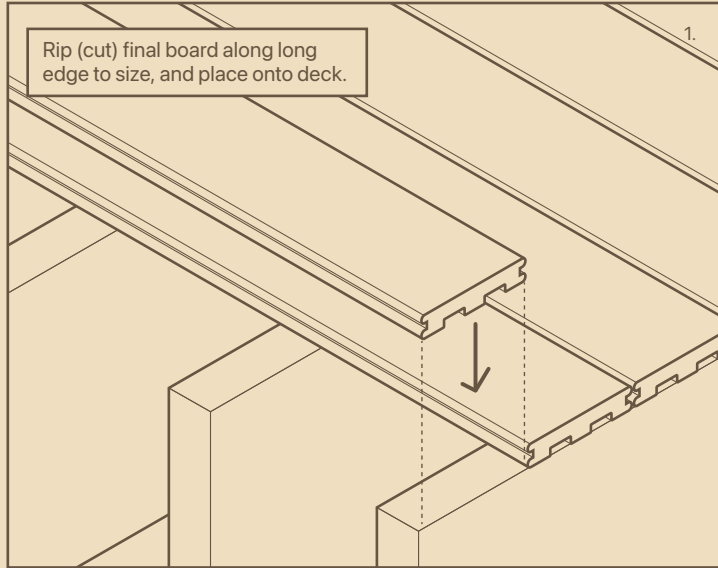
PICTURE FRAMING THE DECK

Finishing the edge(s) of your deck with a single or double picture frame will not only help hide and protect the ends of your deck boards, it will also add a beautiful finishing detail to your overall deck design. In certain circumstances it will also help you extend the size of your deck, while minimising wastage.



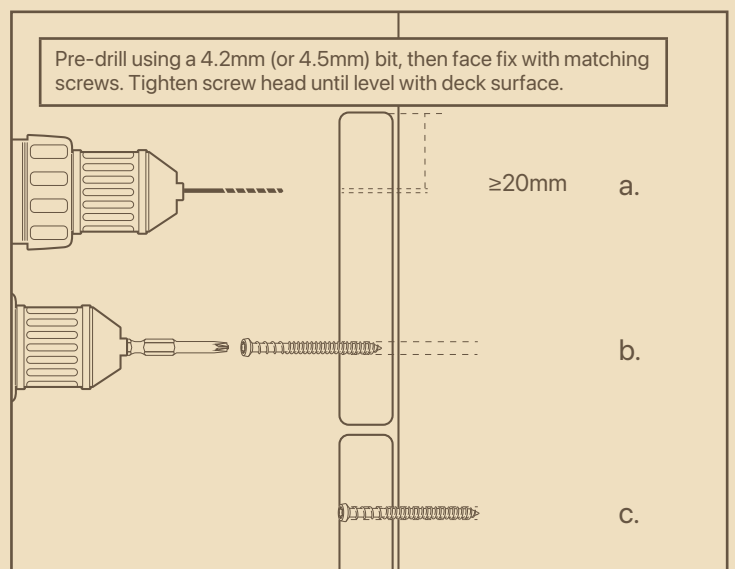
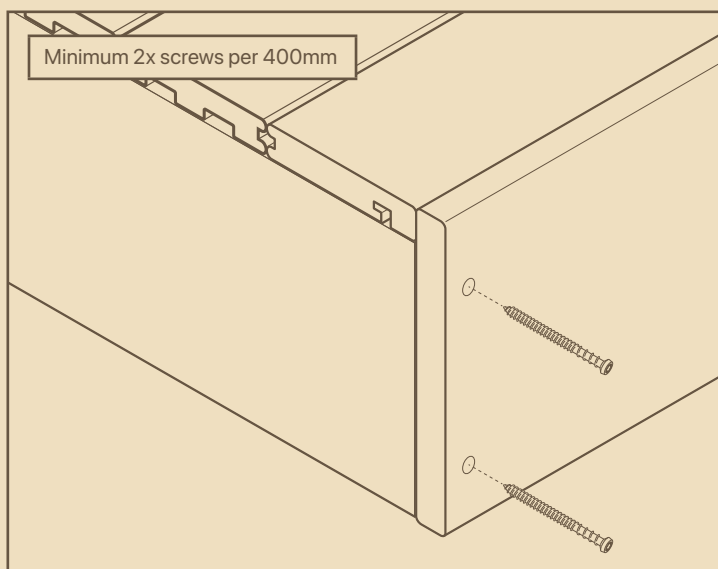
FINAL BOARD INSTALLATION

The final board will be placed at the edge of the subframe closest to the structure you are building against.



FASCIA BOARD INSTALLATION

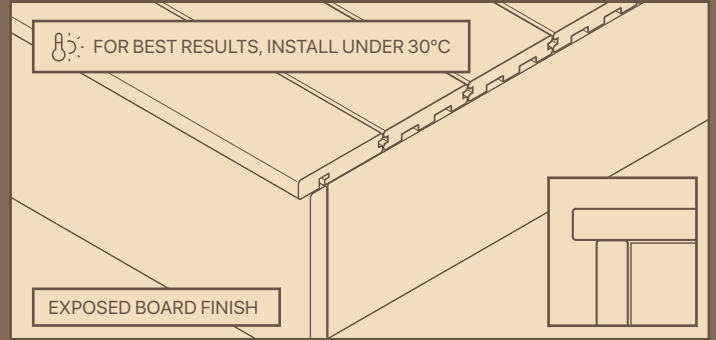
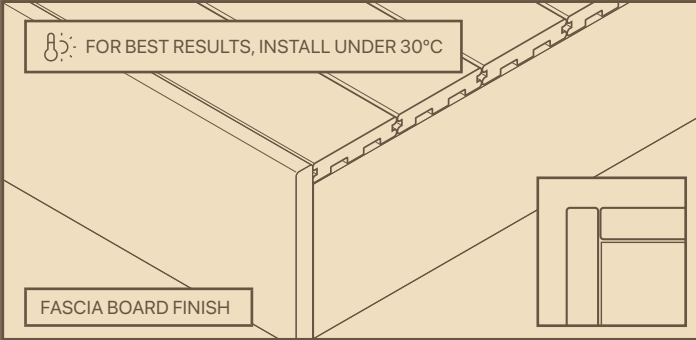
Fascia boards are used to finish the deck and hide any grooves that are visible on the edge of the deck. Fascia boards should be attached by driving screws into the subfloor. Be careful to line up the edge of the deck with the edge of the fascia.



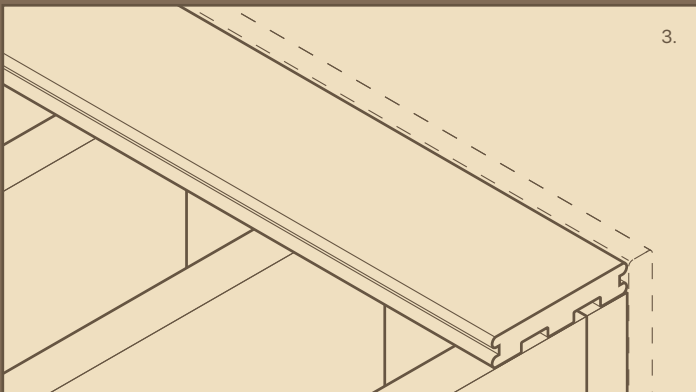
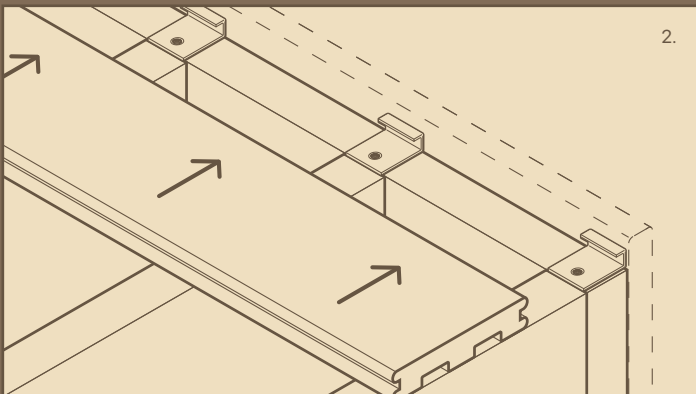
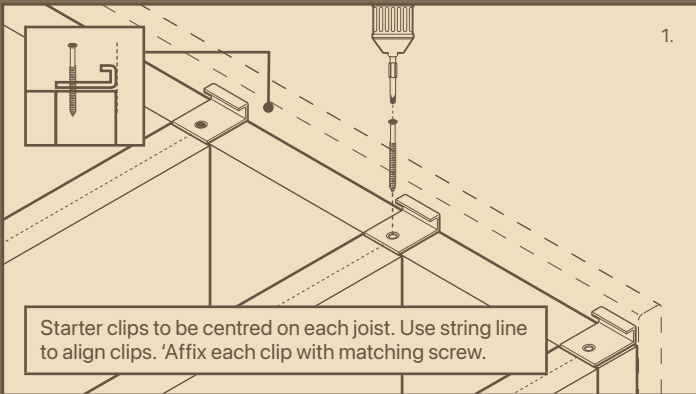
BAL-29 INSTALLATION STEPS

BAL-29 3MM CLIP – FOR TIMBER AND METAL SUBFLOOR

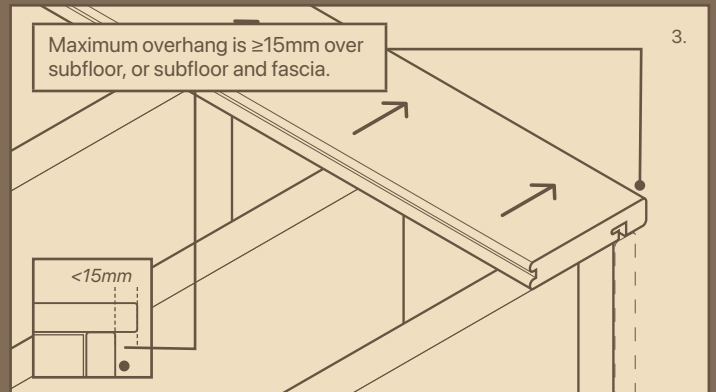
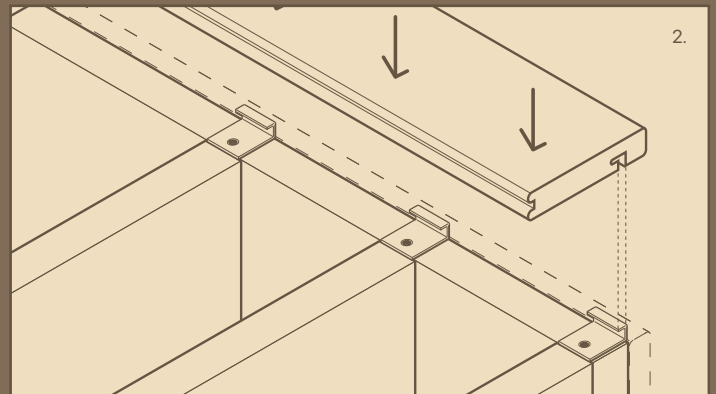
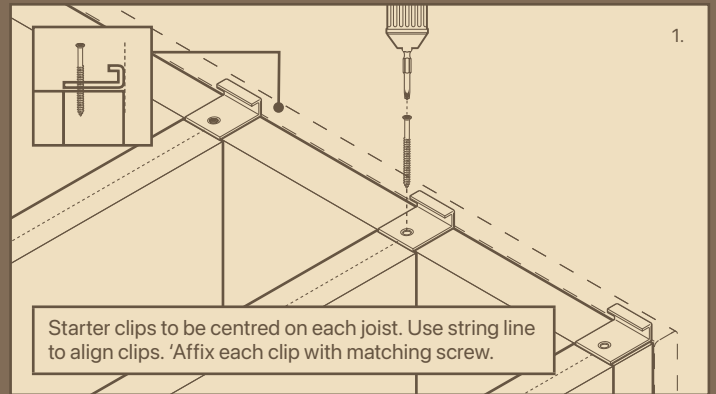
Place the first board at the edge of the subframe furthest away from the structure you are building against.



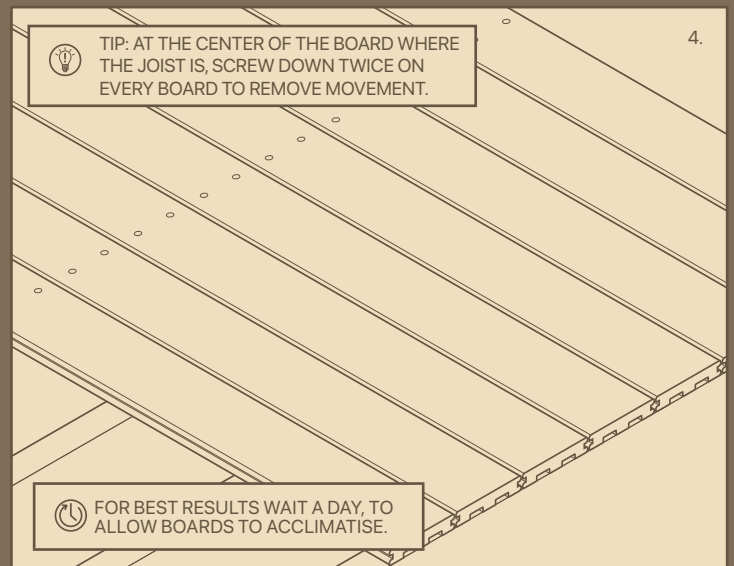
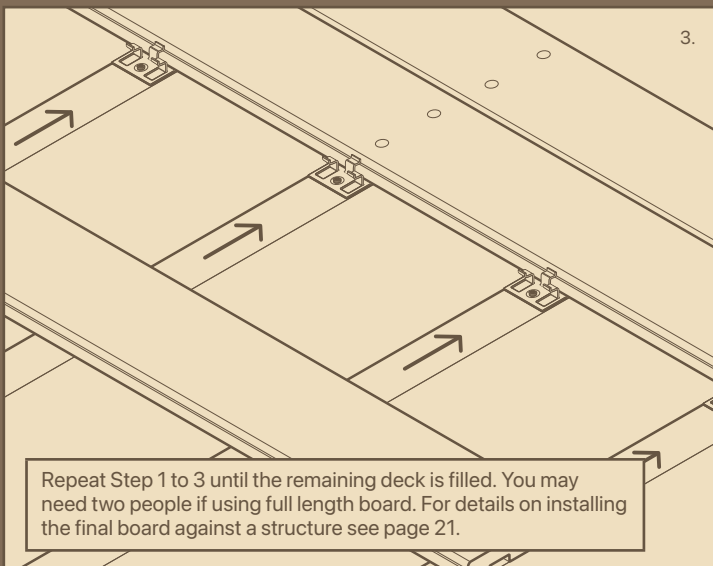
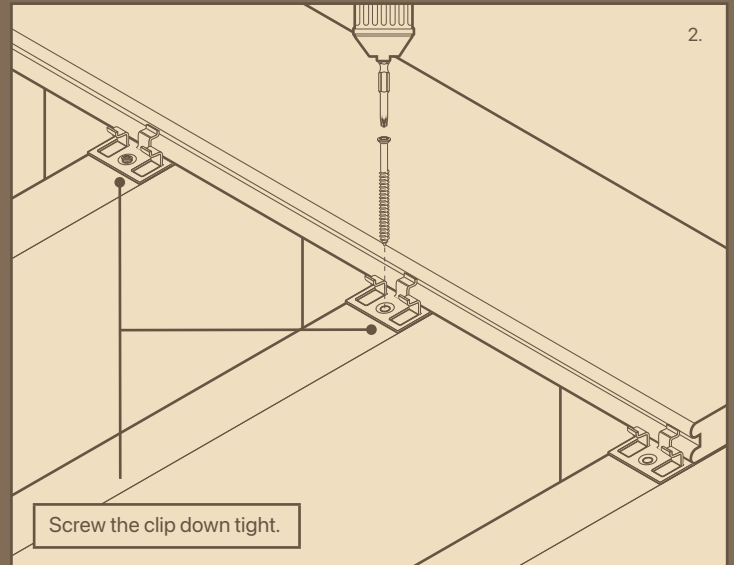
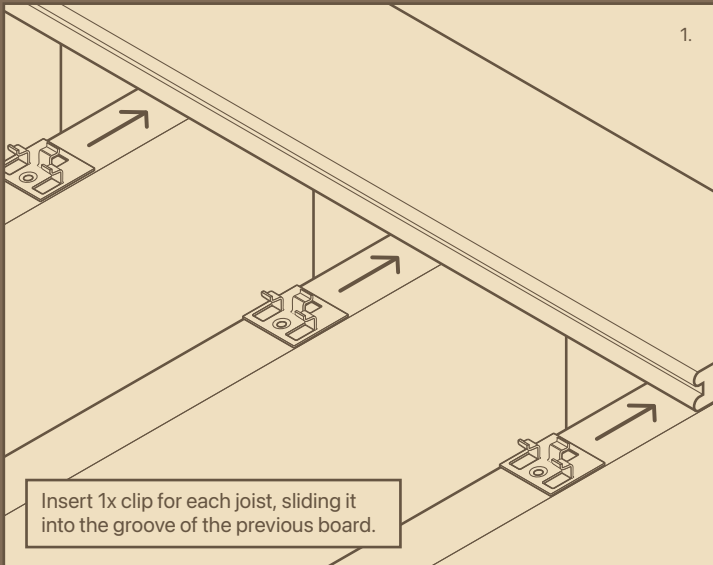
FASCIA BOARD FINISH – GROOVED BOARD:



EXPOSED BOARD FINISH – EDGE BOARD:



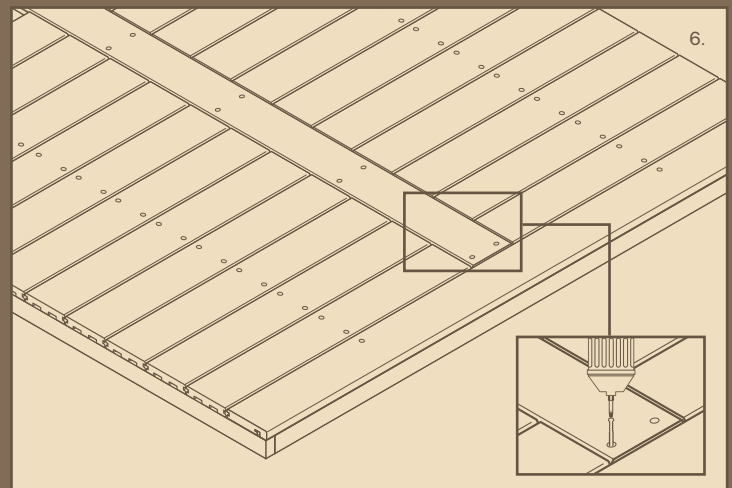
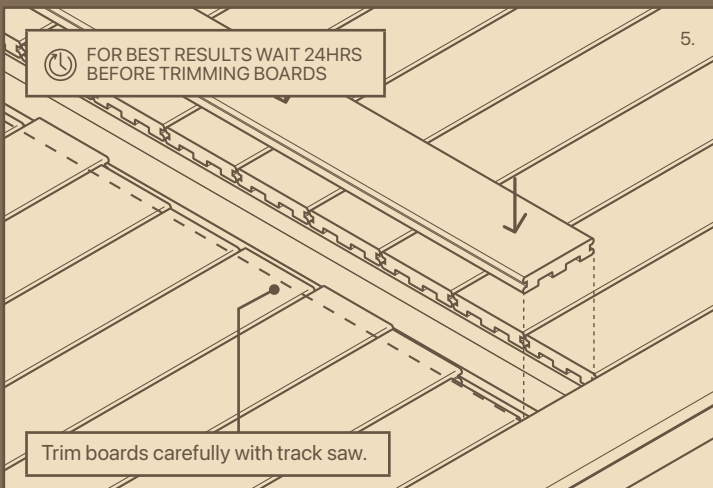
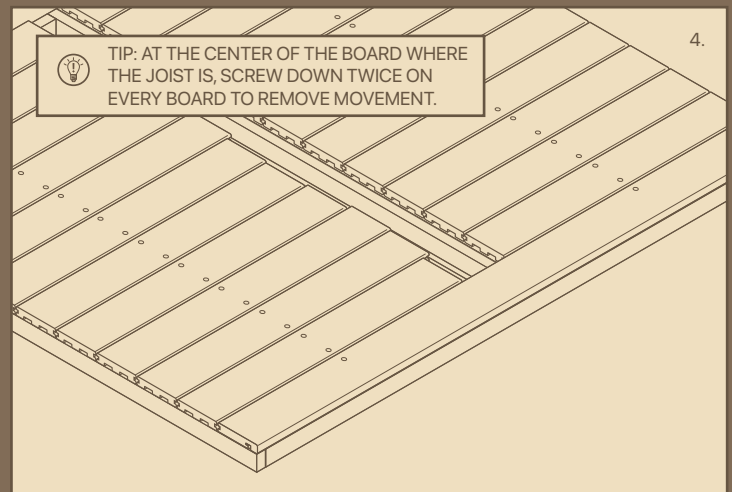
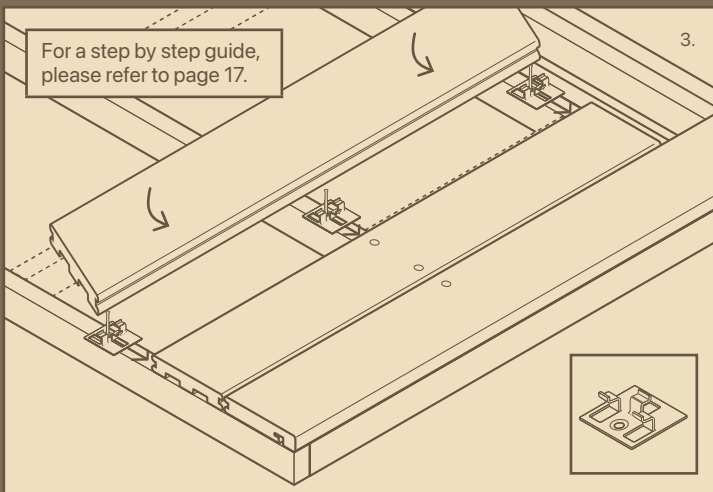
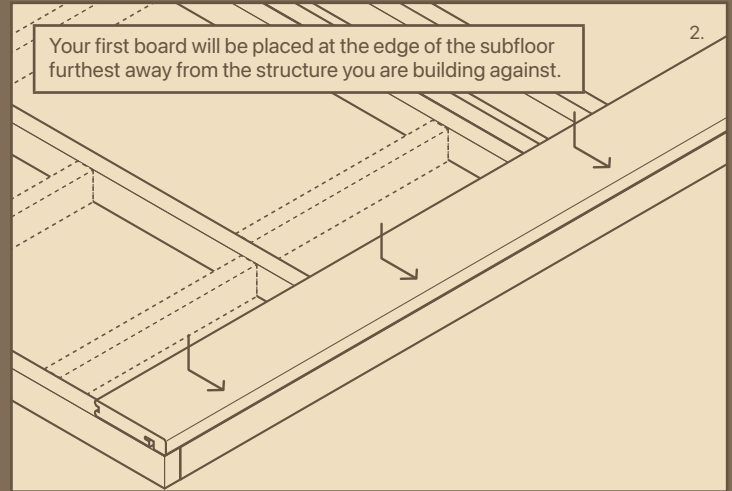
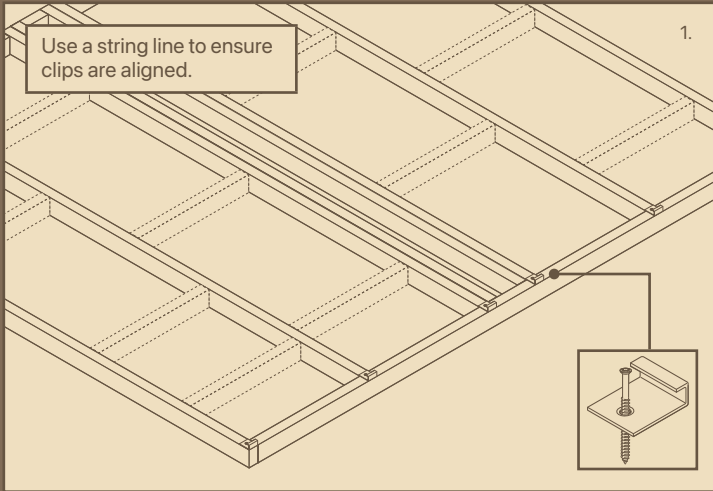
After installing the first board successfully, use the following method for all subsequent boards to complete the deck. Do not pre cut boards to size. Cut boards with an extra 10-15mm length.



BREAKER BOARDS

 BAL-29 3MM CLIP

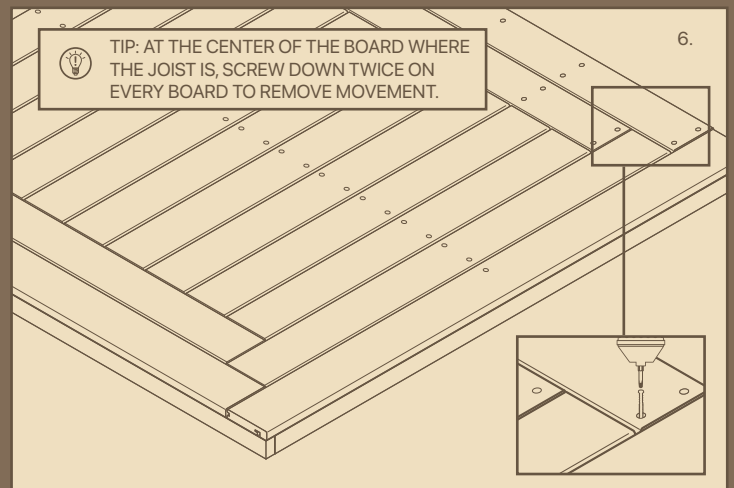
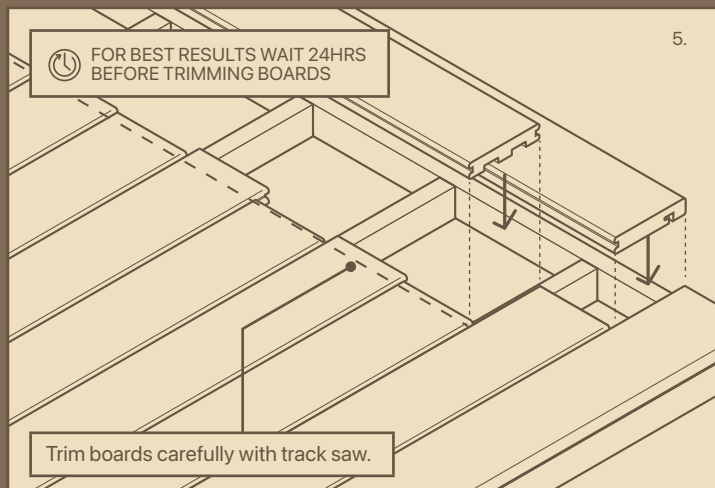
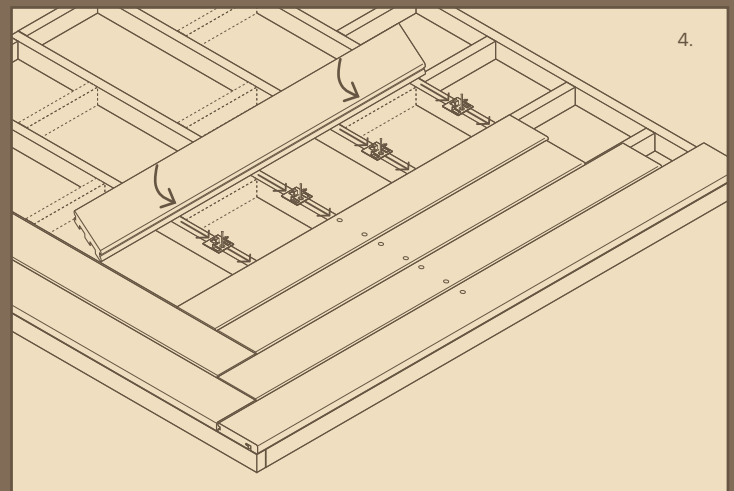
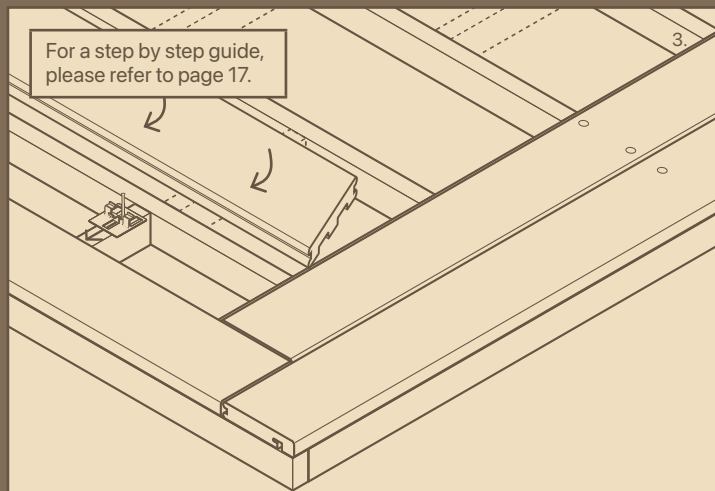
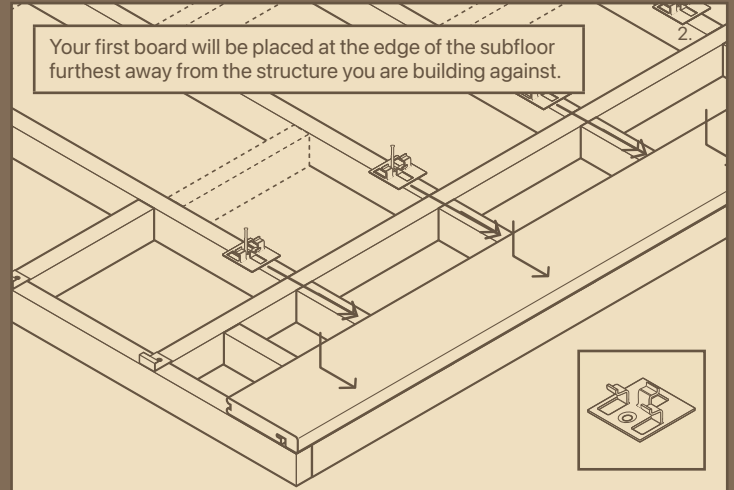
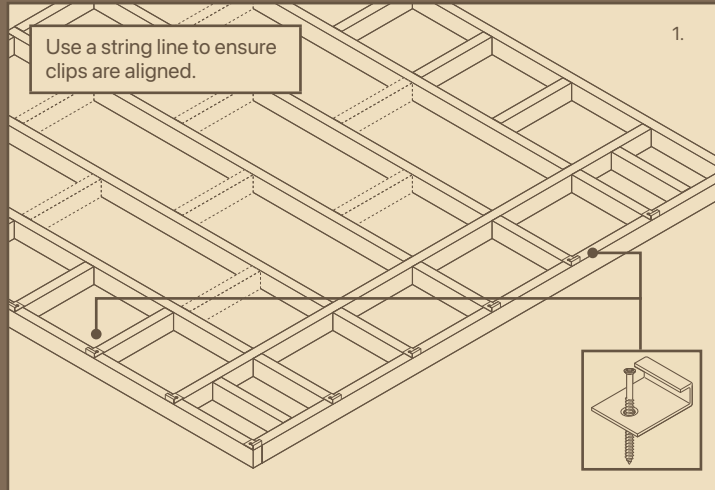
Breaker boards control linear expansion by breaking your deck into smaller, uniform spans. Breaker boards also enhance the stability and durability of your deck, while minimising wastage. Therefore, breaker boards are recommended for all WoodEvo deck installations.



PICTURE FRAMING THE DECK

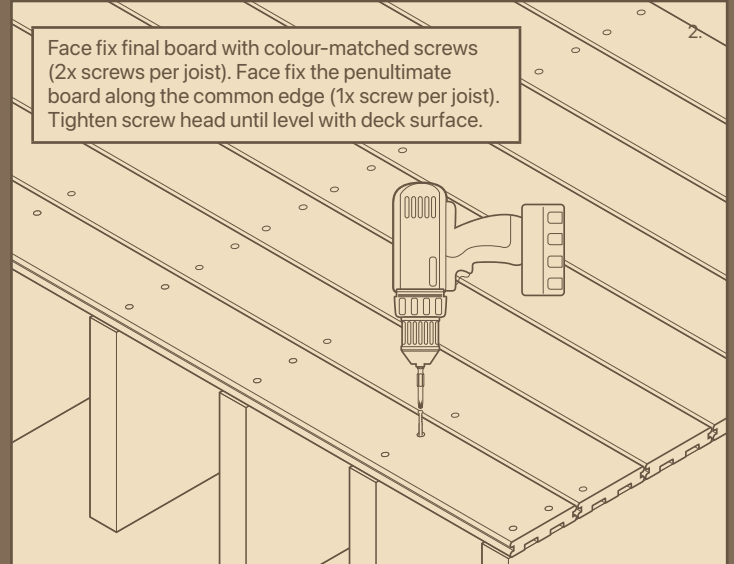
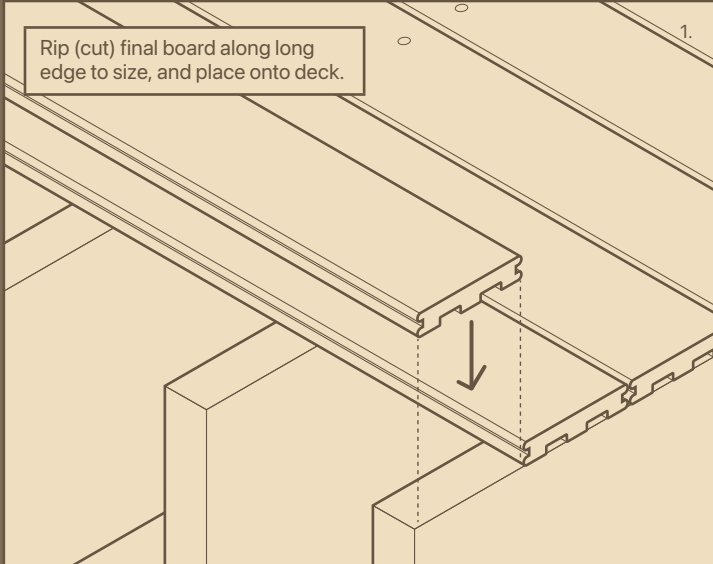
BAL-29 3MM CLIP

Finishing the edge(s) of your deck with a single or double picture frame will not only help hide and protect the ends of your deck boards, it will also add a beautiful finishing detail to your overall deck design. In certain circumstances it will also help you extend the size of your deck, while minimising wastage.



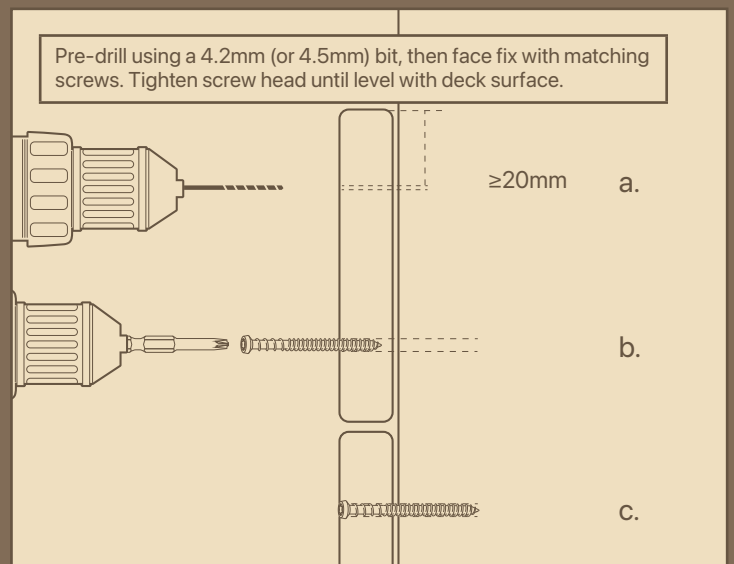
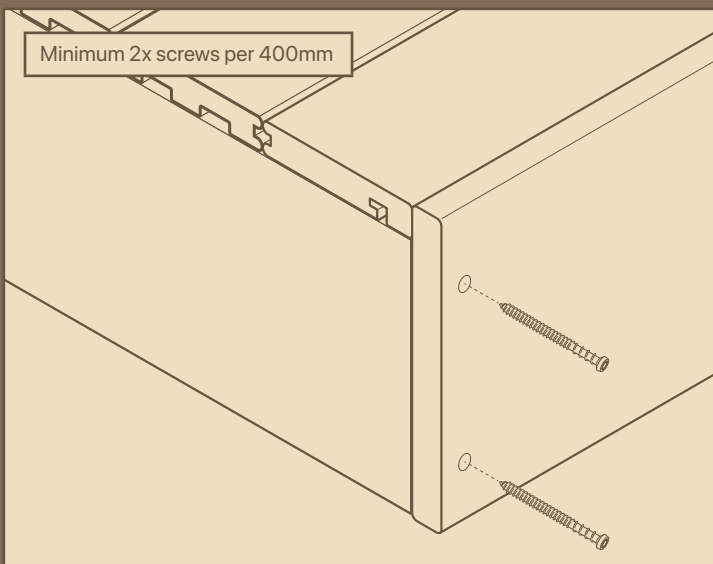
FINAL BOARD INSTALLATION

The final board will be placed at the edge of the subframe closest to the structure you are building against.



FASCIA BOARD INSTALLATION

Fascia boards are used to finish the deck and hide any grooves that are visible on the edge of the deck. Fascia boards should be attached by driving screws into the subfloor. Be careful to line up the edge of the deck with the edge of the fascia.



CARE & MAINTENANCE

CLEANING YOUR DECK

Use a gentle soap and water solution for regular cleaning. For more stubborn stains, use a solution of diluted white vinegar in water.

Caution:

Avoid using abrasive cleaners and solvent-based chemicals which can cause harm to the surface of the deck.

USING A PRESSURE WASHER

A pressure washer (up to 1400psi) can be used to clean the deck. Always ensure you use a wide spray setting, and keep the nozzle a safe distance from the deck surface.

Warning:

Using a concentrated or narrow spray setting, or moving the nozzle too close to the deck can cause damage to the surface of the deck.

MAINTENANCE TIPS

- Use deck furniture with non-abrasive, non-marring feet to prevent scratching the deck surface.
- Place a barrier under any grill or BBQ equipment to help protect the deck surface from heat damage. The barrier should be made of a heat-resistant material such as ceramic or fibre cement.
- Avoid placing rubber or vinyl products (such as welcome mats or planters) directly on the deck surface. In certain conditions, these materials can react with the deck surface and lead to a white stain. This stain is repairable; if this occurs, please contact your reseller.
- Avoid cutting or drilling metal on the deck, as hot metal shavings may embed into, and damage, the deck surface.



WoodEvo.

WOOD. EVOLVED.

CONTACT US

If you require any further assistance with assembling your new WoodEvo Decking, please contact us.

NaturalTech Pty. Ltd.

33 Brooklyn Avenue,
Dandenong VIC, 3175

1300 966 338

info@woodevo.com.au
www.woodevo.com.au